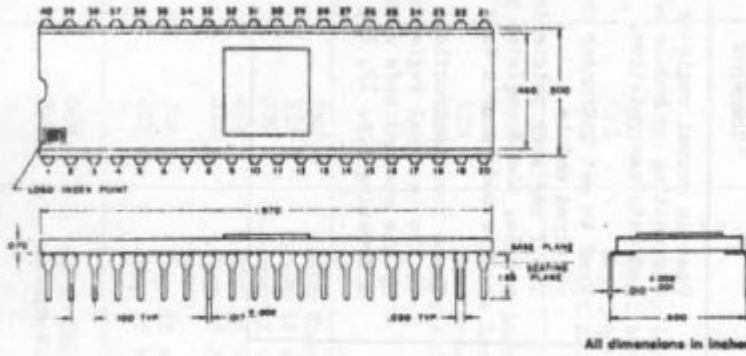


PACKAGE: LP 8000, LP 6000, LP 1010, LP 1000

40 Lead Dual In Line.

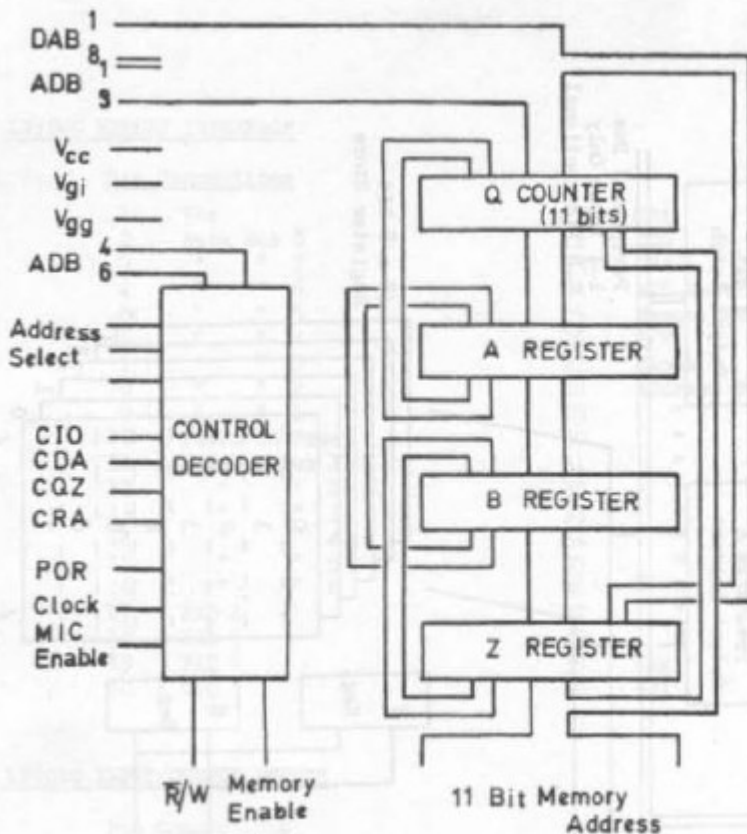


All dimensions in inches

LP1000 MEMORY INTERFACE

Pin Connections

1	Vcc	21	CDA
2	Data Bus 8	22	CQZ
3	" " 7	23	CRA
4	" " 6	24	MIC Enable
5	" " 5	25	Memory Enable
6	" " 4	26	R/W
7	" " 3	27	Clock
8	" " 2	28	Address Bit 1
9	" " 1	29	" " 2
10	Power on Reset	30	" " 3
11	Address Bus 1	31	" " 4
12	" " 2	32	" " 5
13	" " 3	33	" " 6
14	" " 4	34	" " 7
15	" " 5	35	" " 8
16	" " 6	36	" " 9
17	PAD 4	37	" " 10
18	PAD 5	38	" " 11
19	PAD 6	39	Vgg
20	CIO	40	Vei



LP 1000 MEMORY INTERFACE CIRCUIT